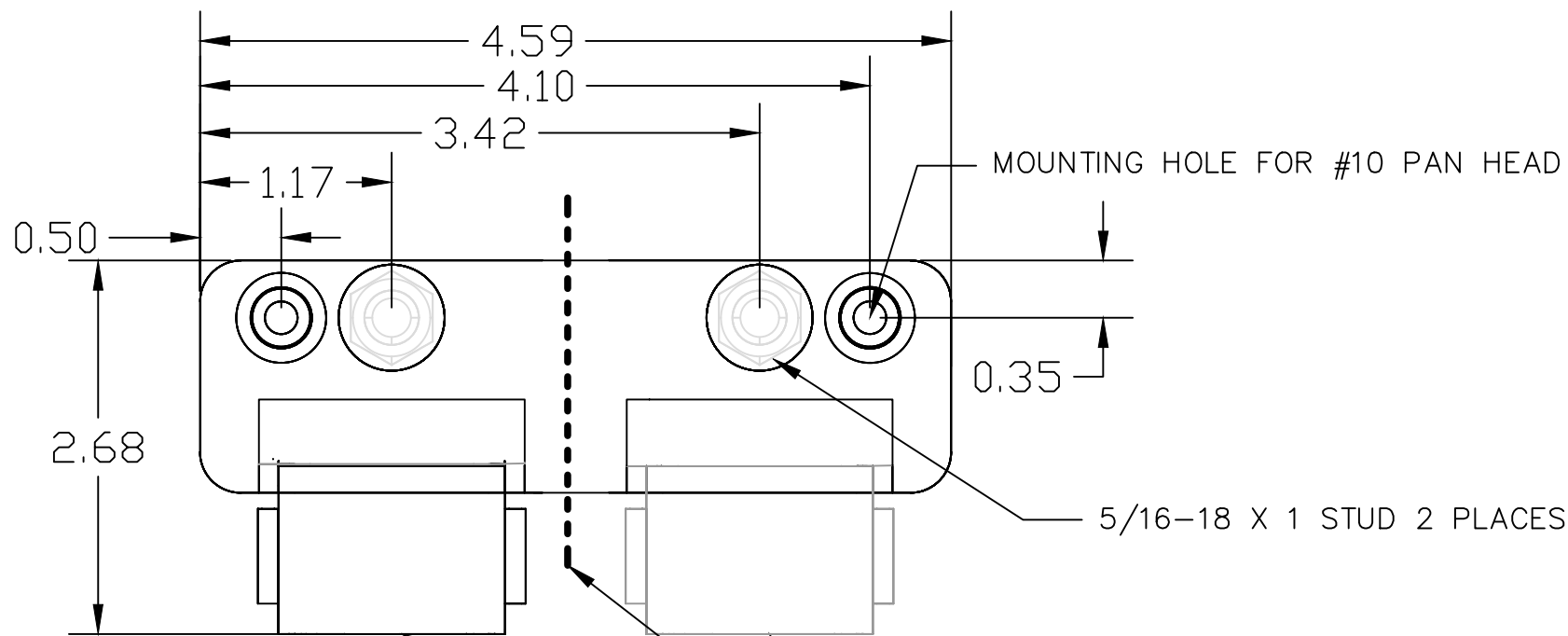
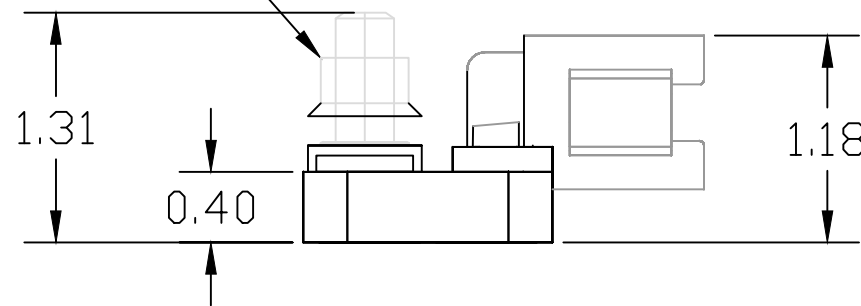


5/16-18 SERATED FLANGE NUT

SBC2-12



5/16-18 X 1 STUD 2 PLACES

MATING CONNECTOR DEUTSCH DT06-12SA OR EQ.

INTERNALLY ISOLATED

MATING CONNECTOR DEUTSCH DT06-12SA OR EQ.



SealedBusBar.com
The best protection for your
electrical connections

THIS DRAWING IS THE PROPERTY OF
SEALEDBUSBAR.COM, MYAKKA CITY, FL.
ALL RIGHTS RESERVED. THIS DRAWING AND
INFORMATION CONTAINED MAY NOT BE COPIED OR
DISCLOSED TO OTHERS WITHOUT THE WRITTEN
PERMISSION OF SEALEDBUSBAR.COM.